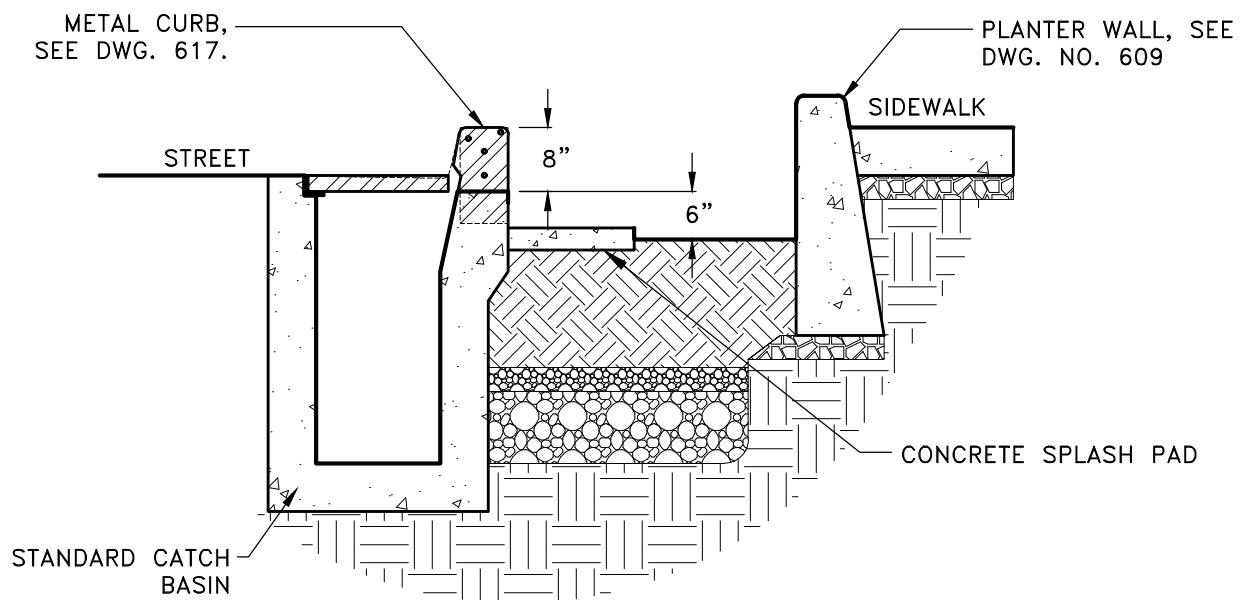


PLAN



SECTION A-A

NOTES

- HANDRAIL MAY BE REQUIRED WHEN DEPTH OF PLANTER ADJACENT TO SIDEWALK EXCEEDS 20".

CITY OF ALBANY, OREGON  
PUBLIC WORKS DEPARTMENT

CATCH BASIN  
SEDIMENT COLLECTOR  
WITH PLANTER

NO SCALE

FEBRUARY 2024

NO. 616A